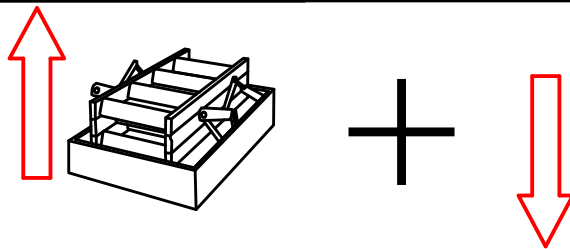
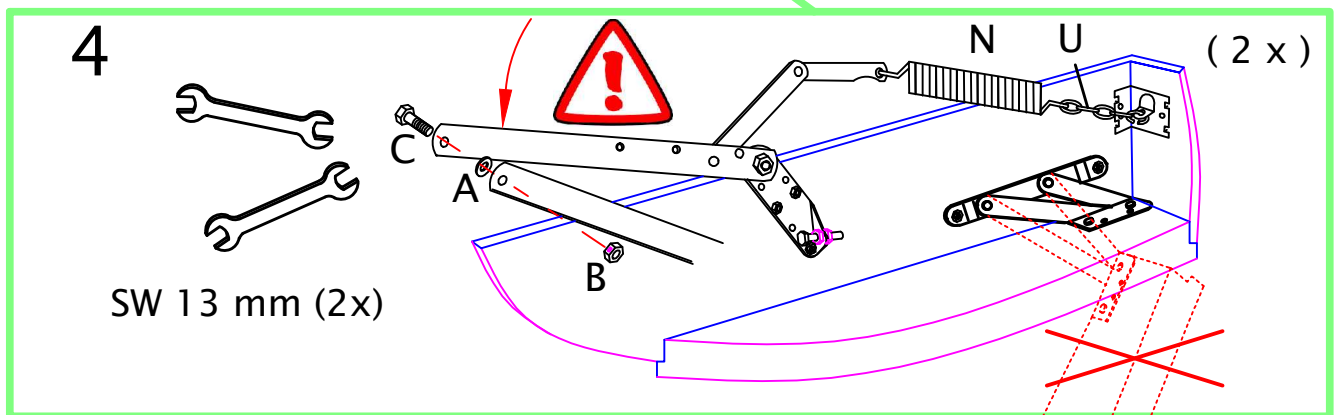
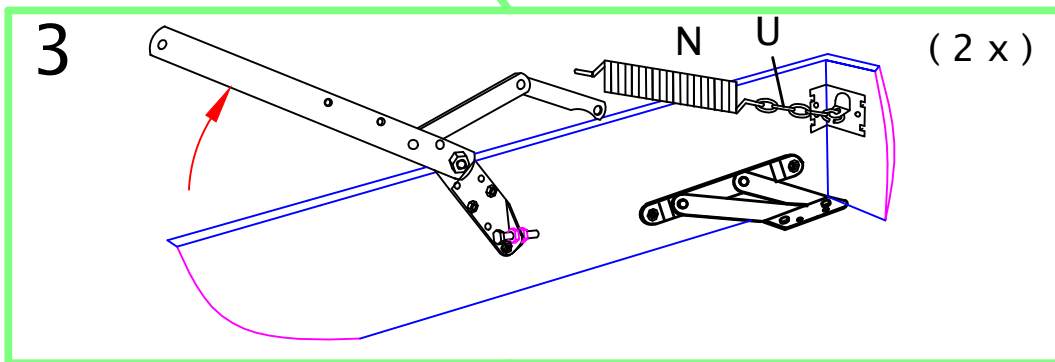
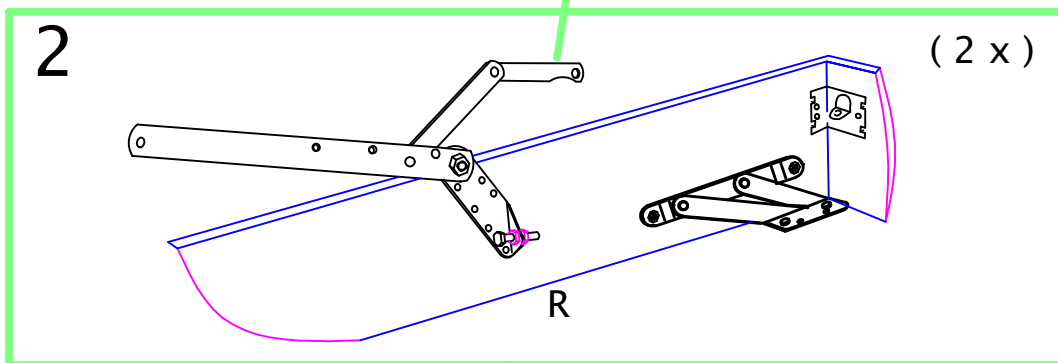
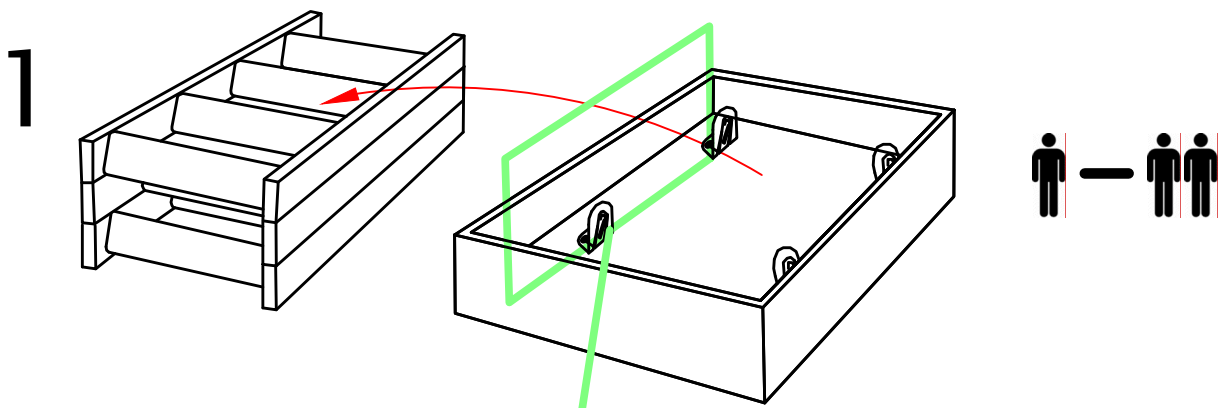


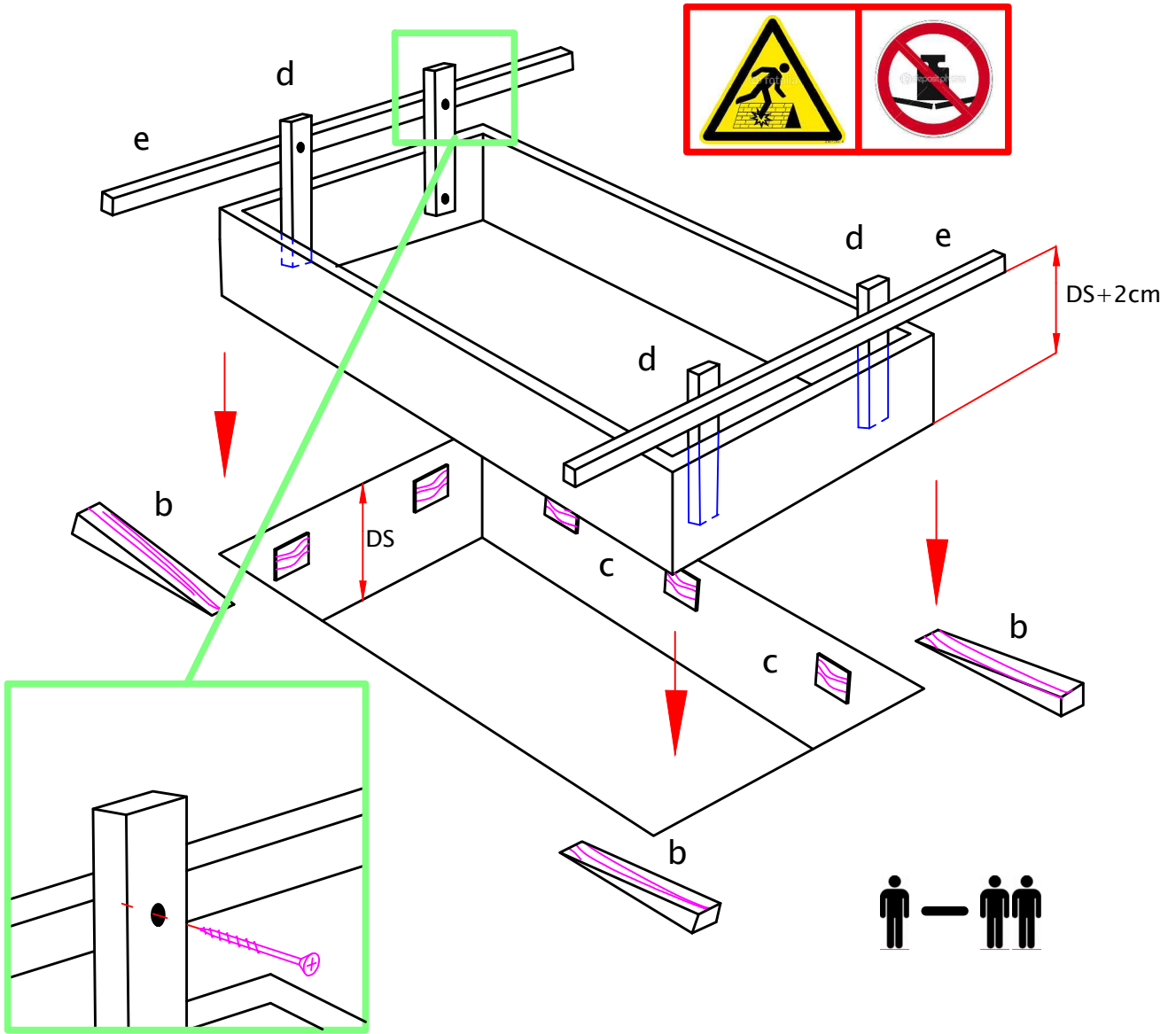
		A (2x)
		B (2x)
		C (2x)
		M (1x)
		N (2x)
		U (2x)
		H (2x)
		O (2x)
		P (2x)



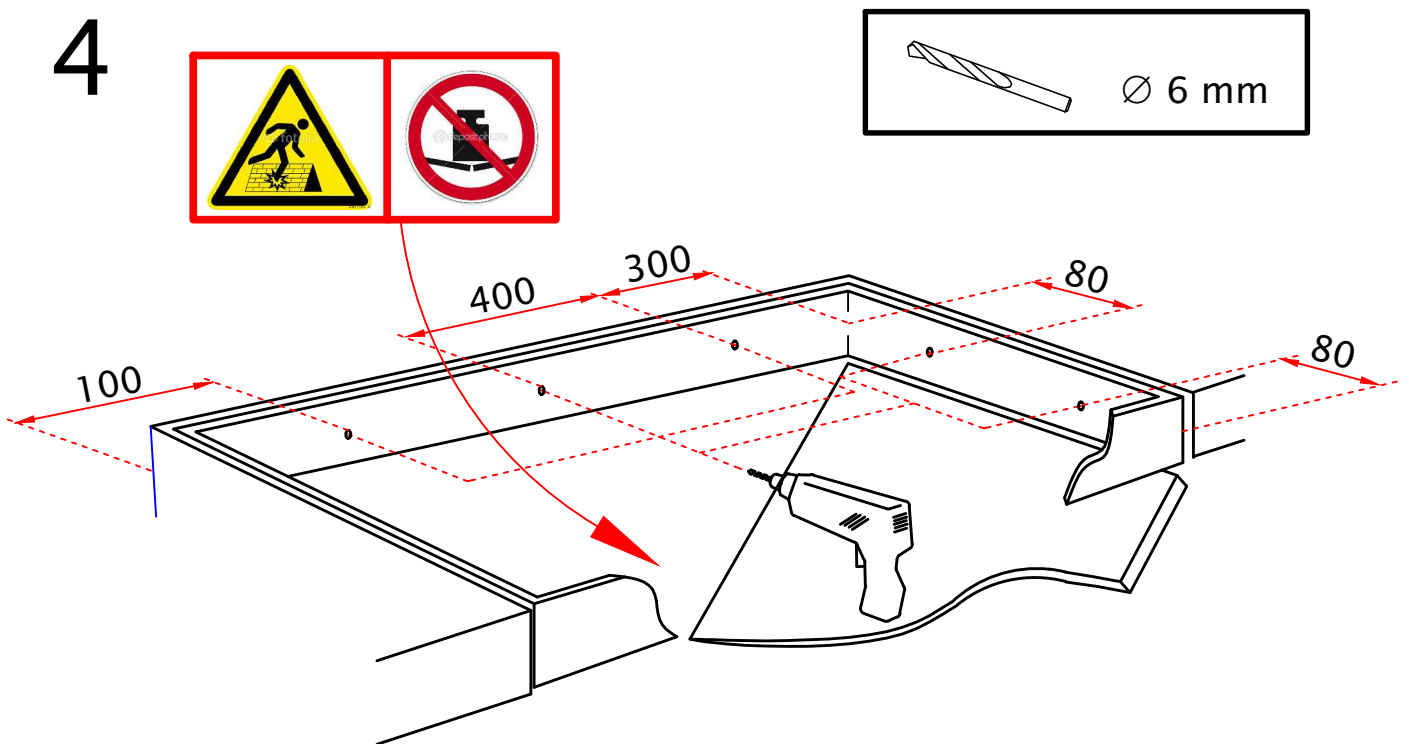
	 $\varnothing 6 \text{ mm}$	 SW 13 mm (2x)	 SW 8 mm	
	 a (10 x)	 b (4 x)	 c (10 x)	
	 d (4 x)	 e (2 x)		



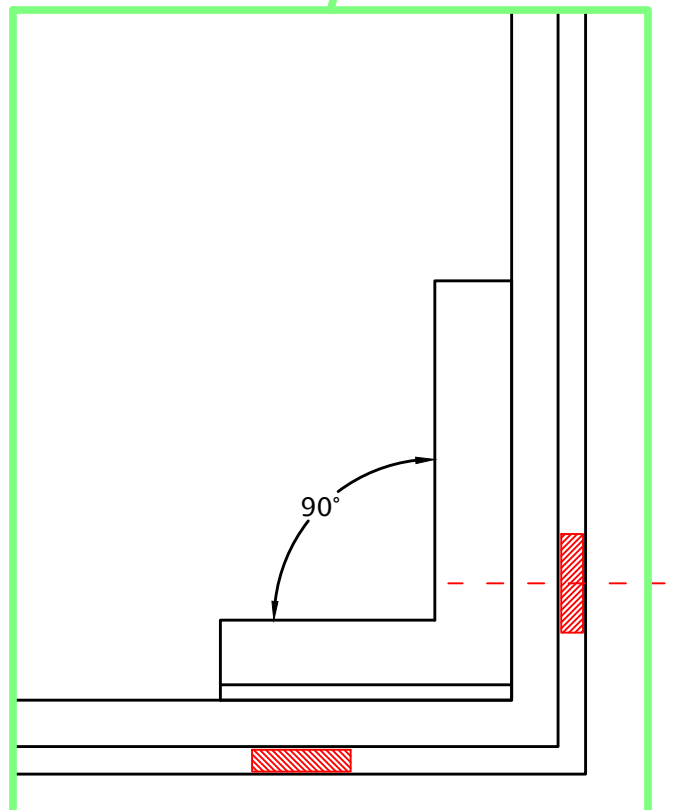
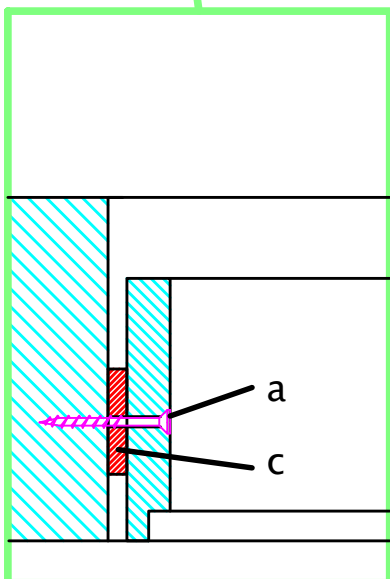
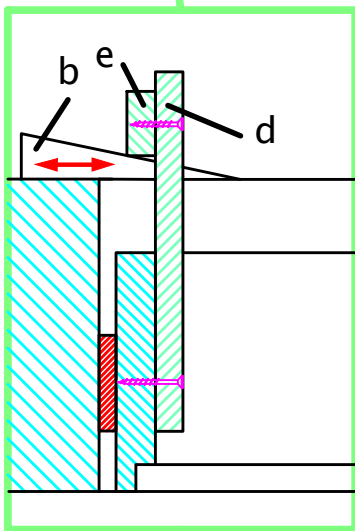
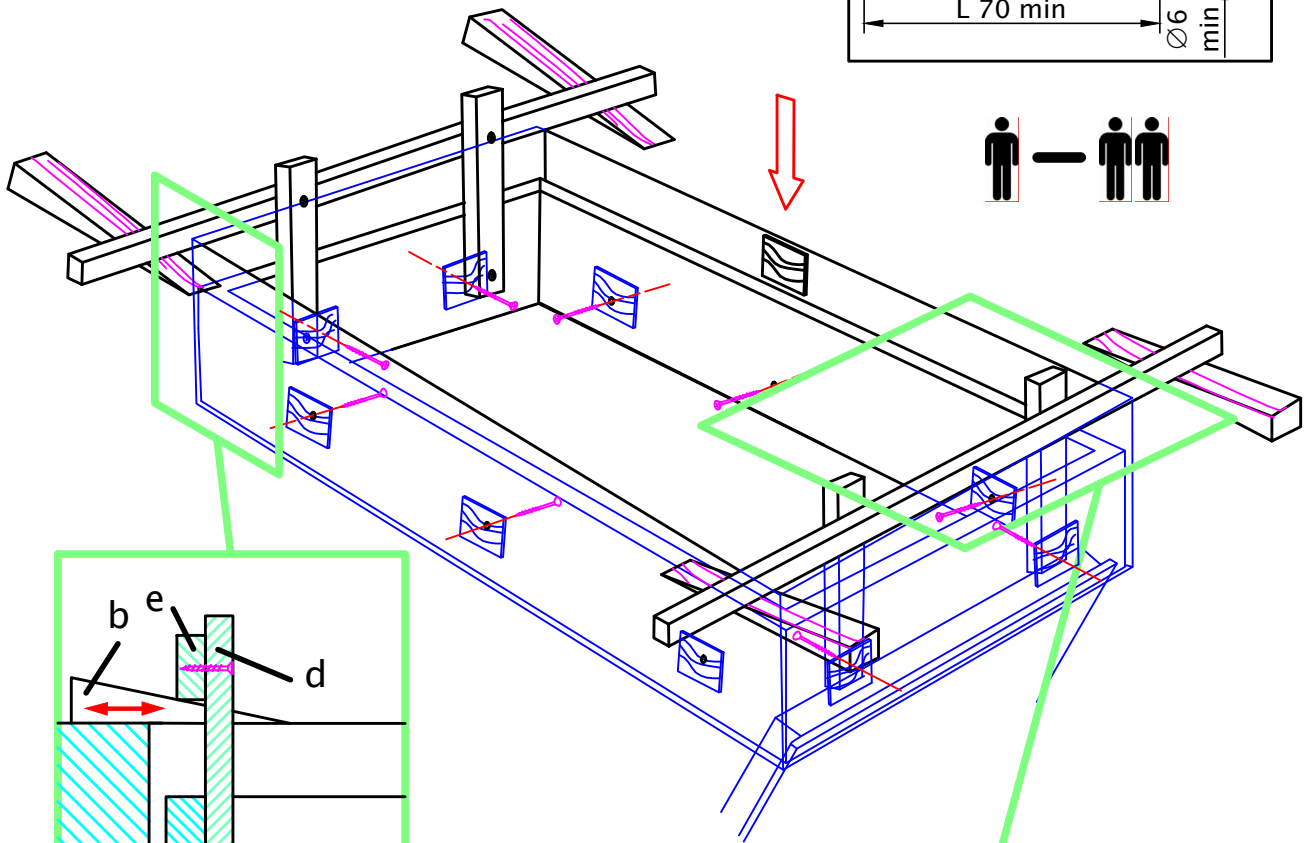
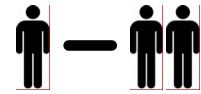
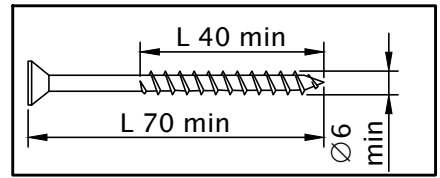
3



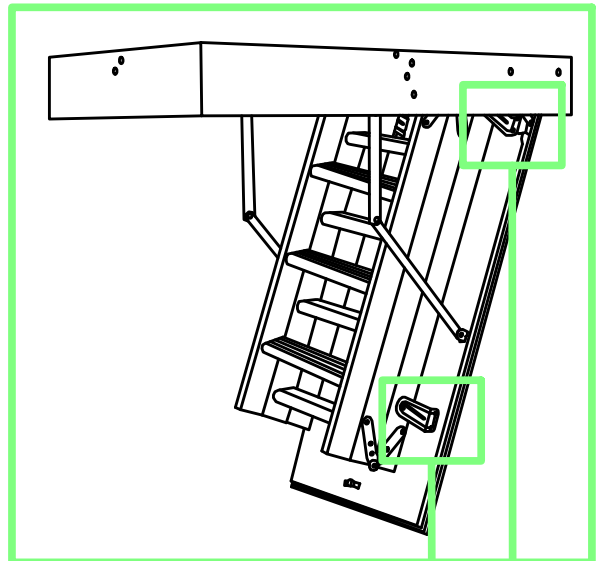
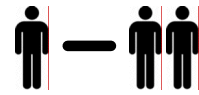
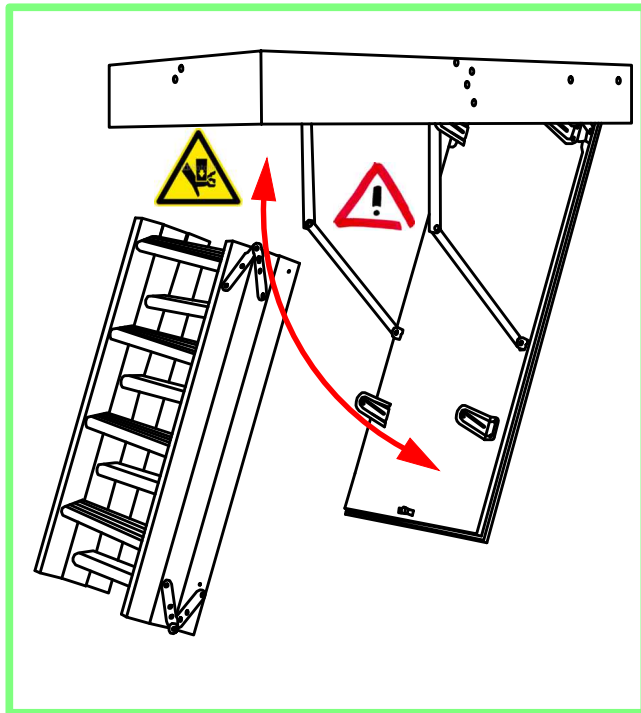
4



5

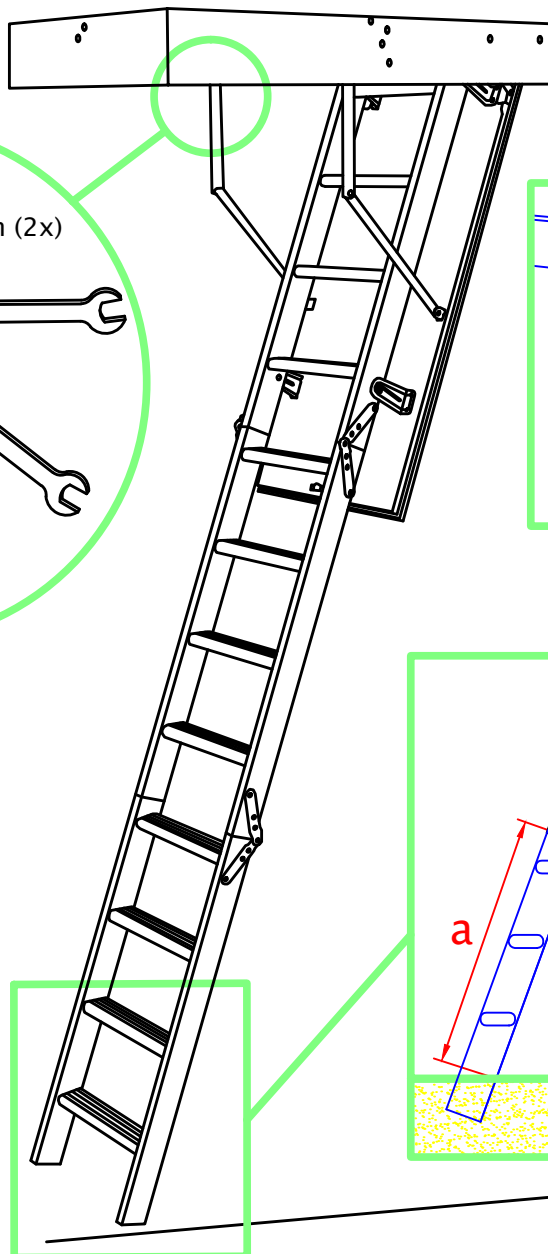


6

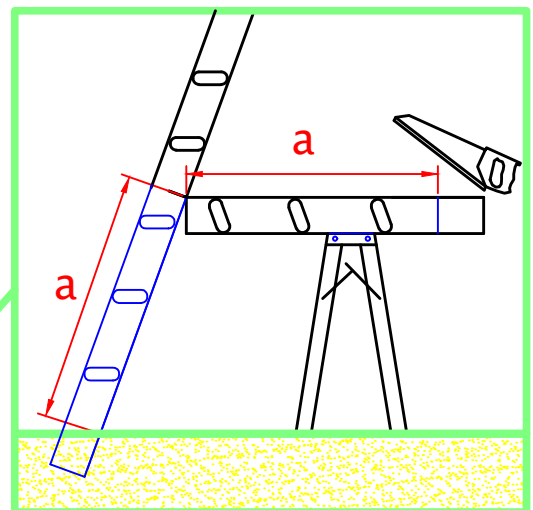
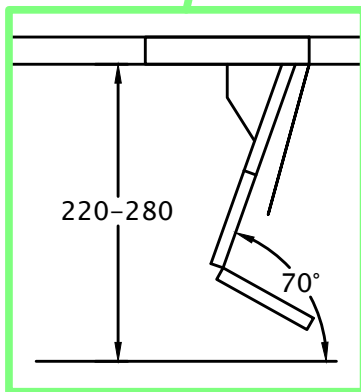
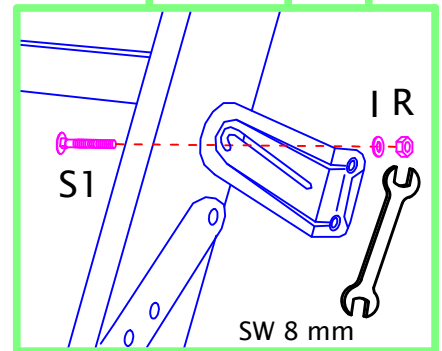
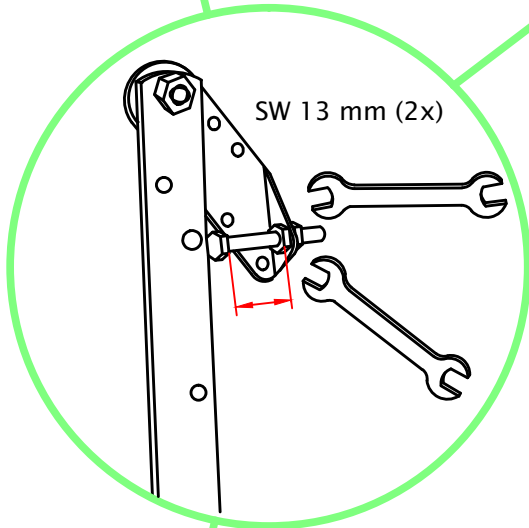


7

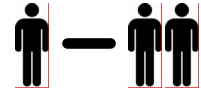
2 x



4 x

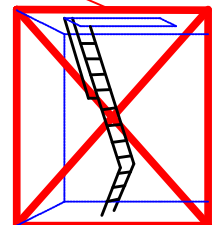
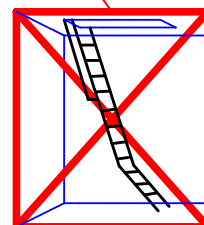
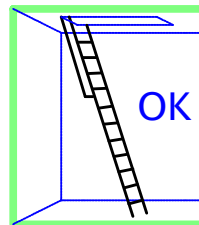
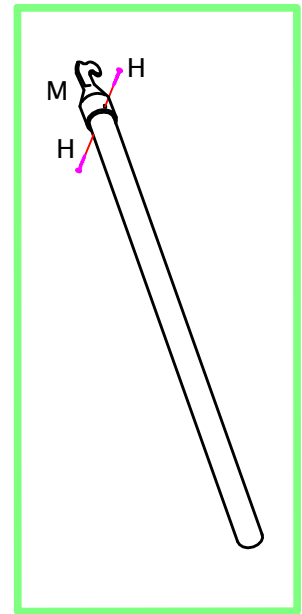
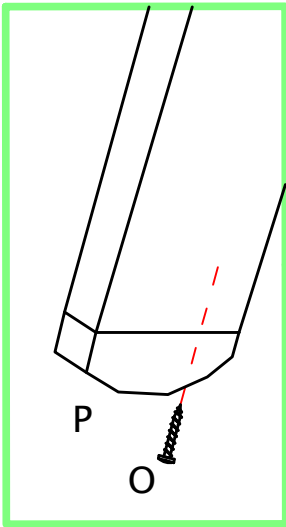
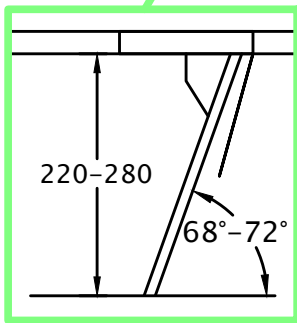
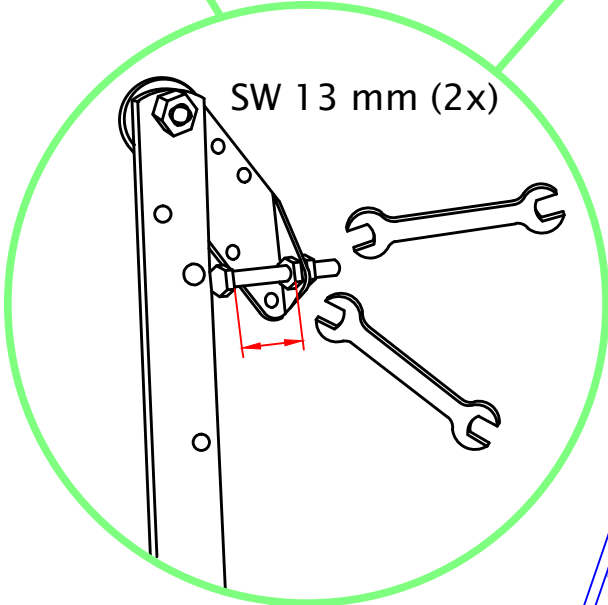


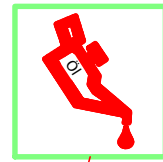
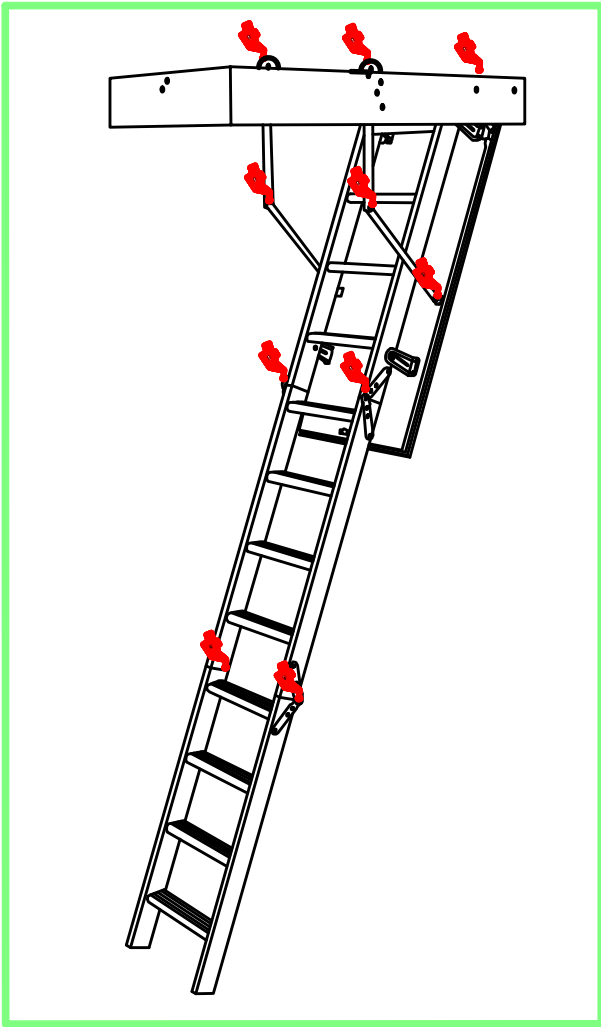
8



2 x

SW 13 mm (2x)





2016	1 x	✓	1 x	✓
2017	1 x	✓	1 x	✓
2018	1 x	✓	1 x	✓
2019	1 x		1 x	
2020	1 x		1 x	
2021	1 x		1 x	
2022	1 x		1 x	
2023	1 x		1 x	
2024	1 x		1 x	
2025	1 x		1 x	
2026	1 x		1 x	

